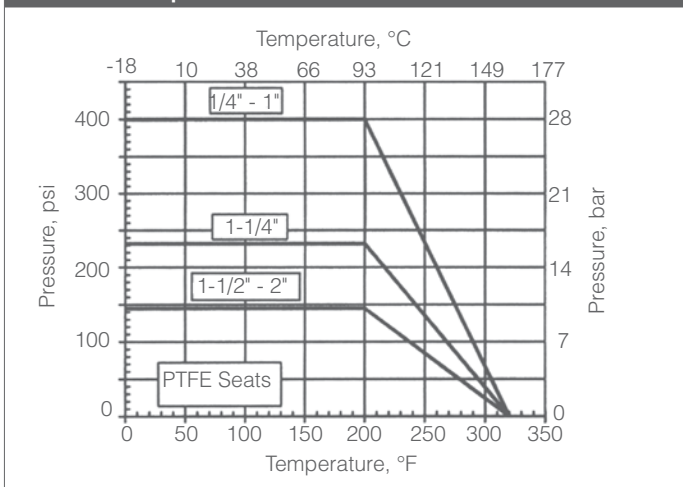



Features

- High integrity hot forged brass body
- ISO 5211 actuator mounting pad
- Blow-out proof stem
- PTFE seats, O-ring backed low operating torque
- Adjustable PTFE packing, with stem O-ring
- 100% tested
- Lever operator

Pressure-Temperature Curves


Seat Tightness Note: If closed port pressure exceeds open port pressure, the ball may be forced slightly off the seat, which would allow mixing from all ports. Occurrence may vary depending upon flow and ambient conditions.

Technical Specifications

Valve Size		Torque, in-lbs (N-m)	Flow Coefficient, Cv (Kv)
Inches	NPS		
1/4"	DN8	53 (6)	3.3 (2,8)
3/8"	DN10	53 (6)	3.5 (3,0)
1/2"	DN15	53 (6)	4.2 (3,6)
3/4"	DN20	53 (6)	7.0 (6,0)
1"	DN25	151 (17)	12.8 (11,1)
1-1/4"	DN32	151 (17)	18.7 (16,1)
1-1/2"	DN40	151 (17)	29.8 (25,7)
2"	DN50	274 (31)	43.8 (37,7)

3T-3300R-XXX-BR Series Multi Port Valve
3L-3400R-XXX-BR Series Multi Port Valve
Quick Spec

Product Scope	
Size Range	1/4" – 2", Reduced Port, FNPT Ends
Port Type	L-Port or T-Port
Port Orientation	Side Entry
Pressure Rating	400 psi CWP (27,5 bar)
Temperature Range	-4°F thru 344°F (-20°C thru 173°C)
Body	Brass, Hot Forged, Ni Plated
Ball & Stem	Brass, Chrome Plated
Ball Seats	PTFE, Viton O-ring backed
Stem Packing	Adjustable PTFE
Stem Seals/Body Seals	Viton O-rings
Operator / Mounting Pad	Manual Lever, Non-Locking / ISO 5211
Design Standards	
Thread Design	ANSI B1.20.1
Testing Standards	
Pressure Testing	100% @ 80 psi in open & closed position

Materials of Construction

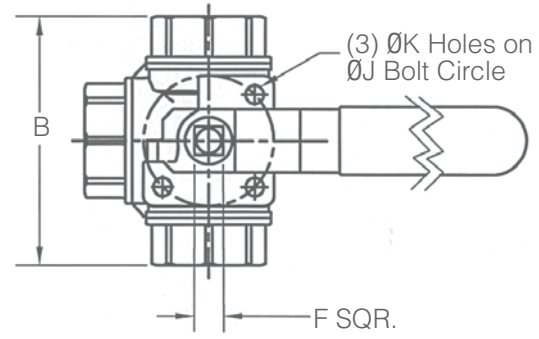
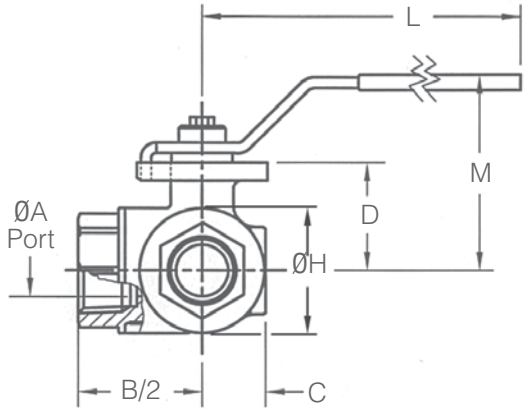
Part	Material Specification
Body	*Brass CuZn40Pb2
End Cap	
Ball	
Seats	PTFE
Thrust Washer	
Bearing, Stem	Viton®
"O" Ring, Stem	
"O" Ring, Seat	Plated Steel
Screw	
Bushing	**Brass CuZn39Pb3
Stem	
Washer	Nylon
Handle	Plated Steel

* UNI EN 12165 CW617N (58Cu-40Zn-2Pb) equivalent to Hot Forging Brass
 UN C37700 (60Cu-39Zn-2Pb)

** UNI EN 12164 CW614N (58Cu-39Zn-3Pb) equivalent to Architectural Brass
 bar UNS C38500 (57Cu-40Zn-3Pb)

Port Arrangement

Position Flow Pattern	A	B	C
T3 90°			
T4 90°			
T8 90°			
T9 90°			
L2 90°			
L3 180°			



ART0792

Dimensions, Inches												
Valve Size	Reduced Port											
Inches	ØA	B	C	D	F	ØH	ISO 5211	ØJ	ØK	L	M	Weight, lbs
1/4"	0.39	2.64	0.77	1.20	0.350	1.34	F03	1.42	0.24	4.72	2.44	1.0
3/8"	0.43	2.64	0.77	1.20	0.350	1.34	F03	1.42	0.24	4.72	2.44	1.0
1/2"	0.43	2.87	0.77	1.20	0.350	1.34	F03	1.42	0.24	4.72	2.44	1.2
3/4"	0.59	3.19	0.87	1.29	0.350	1.53	F03	1.42	0.24	4.72	2.52	1.8
1"	0.79	3.74	1.00	1.63	0.430	1.89	F05	1.97	0.27	6.69	2.95	3.3
1-1/4"	0.98	4.39	1.22	1.85	0.430	2.36	F05	1.97	0.27	6.69	3.17	5.3
1-1/2"	1.26	4.86	1.79	2.34	0.430	2.83	F05	1.97	0.27	6.69	3.66	8.7
2"	1.57	5.73	1.75	2.90	0.550	3.38	F07	2.76	0.35	9.05	4.43	17.1

Dimensions, mm												
Valve Size	Reduced Port											
NPS	ØA	B	C	D	F	ØH	ISO 5211	ØJ	ØK	L	M	Weight, kgs
DN8	9,9	67,1	19,6	30,5	8,9	34,0	F03	36,0	6,1	120	62	0,5
DN10	10,9	67,1	19,6	30,5	8,9	34,0	F03	36,0	6,1	120	62	0,5
DN15	10,9	72,9	19,6	30,5	8,9	34,0	F03	36,0	6,1	120	62	0,5
DN20	15,0	81,0	22,1	32,8	8,9	38,9	F03	36,0	6,1	120	64	0,8
DN25	20,1	95,0	25,4	41,4	10,9	48,0	F05	50,0	6,9	170	75	1,5
DN32	24,9	112	31,0	47,0	10,9	59,9	F05	50,0	6,9	170	81	2,4
DN40	32,0	123	45,5	59,4	10,9	71,9	F05	50,0	6,9	170	93	3,9
DN50	39,9	146	44,5	73,7	14,0	85,9	F07	70,0	8,9	230	113	7,8

Model	Size	Body Mat'l	1	2	3	4	5	6	7	8	9	10	11	12

	Model Number
3T-3300R	3 Way Ball Valve
3L-3400R	3 Way Ball Valve

5&6	Actuator Pressure
60	60 psi
80	80 psi
NN	N/A (no pneumatic actuator)
ZZ	Non-Standard

	Size
025	1/4"
038	3/8"
050	1/2"
075	3/4"
100	1"
125	1-1/4"
150	1-1/2"
200	2"

7&8	Solenoid Feature	Act. Type
00	None	
3A	3W 8551-120VAC N4 UT-0/5	SR
3C	3W EF8551-120VAc N7 UT-0/5	SR
3J	3W 8317G35-120VAC N4 UT-0/2.5	SR
3M	3W 8321G1-120VAC N4 UT-3/5	SR
3Q	3W EF8317G35-120VAC N7 UT-0/2.5	SR
3R	3W EF8321G1-120VAC N7 UT-3/5	SR
4A	4W 8551-120VAC N4 UT-0A	DA
4B	4W 8551-120VAC N4 UT-0/5	DA
4D	4W EF8551-120VAC N7 UT-0A	DA
4E	4W EF8551-120VAC N7 UT0/5	DA
ZZ	Non-Standard	

	Body Material
BR	Brass

1&2	End Connections
AA	FNPT

9&10	Limit Switch
00	None
AA	LS FMFB-5120-N4 to UT-0/3
AC	LS AMFB-5120-N7 to UT-0/3
0Z	Non-Standard

3&4	Operation
HL	Lever
NN	None
P1	UT-0A-DA STD
P2	UT-0-DA STD
P3	UT-1-DA STD
P4	UT-2-DA STD
S1	UT-0-SR STD
S2	UT-1-SR STD
S3	UT-2-SR STD
S4	UT-2.5-SR STD
S5	UT-3-SR-STD
M1	ER-1-2.5-4 110 VAC
M2	ER-2-5-4 110 VAC
M3	ER-3-5-4 110 VAC
M8	ER-4-10-4 110 VAC
ZZ	Non-Standard

11&12	Start Position
3A	T3A
3B	T3B
4A	T4A
4B	T4B
8A	T8A
8B	T8B
9A	T9A
9B	T9B
A2	L2A
B2	L2B

Marwin Valve

A Division of Richards Industries, 3170 Wasson Road, Cincinnati, OH 45209
 toll free. 800.543.7311, local. 513.533.5600, fax. 513.871.0105
www.marwinvalve.com